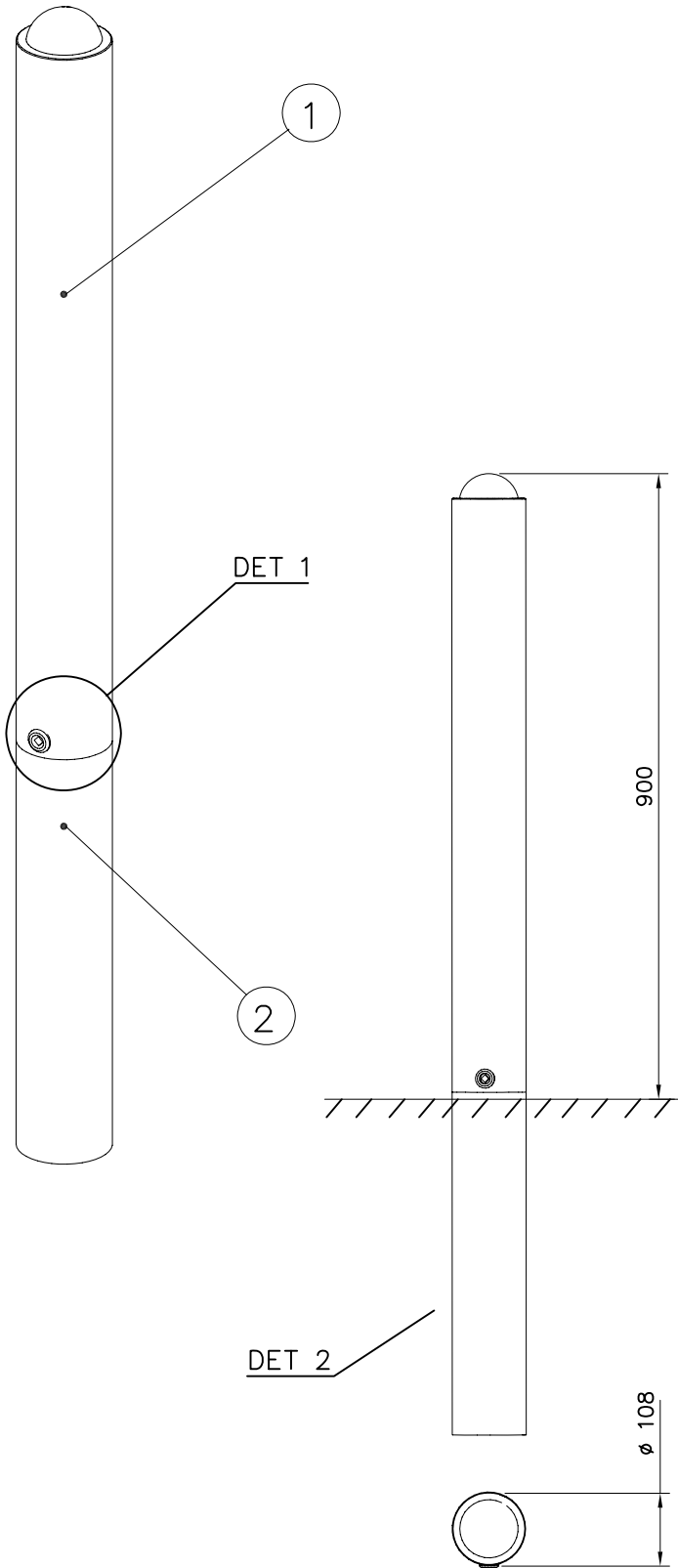
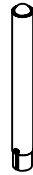

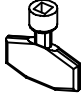


NF8005

DATE: 06.02.2008

1(1)



① N80052	PCS	② N80053	PCS
	1		1
Upper part		Lower part	
③ N00101	PCS		PCS
	1		
Key			
	PCS		PCS
	PCS		PCS

