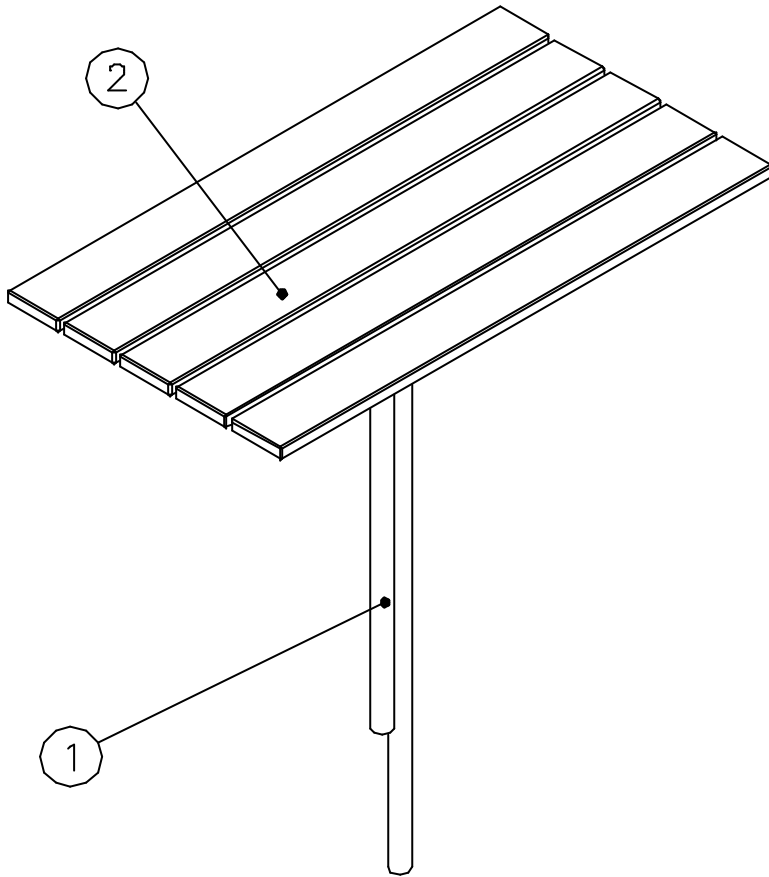
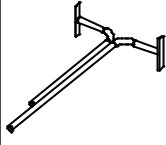
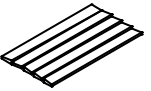




NF2291M

DATUM: 9.10.2003

1(1)



① N22911	PCS	② N22912	PCS
	1		1
③ N01800	PCS	④ N01820	PCS
	4		4
M8		8x20	
	PCS		PCS
	PCS		PCS

