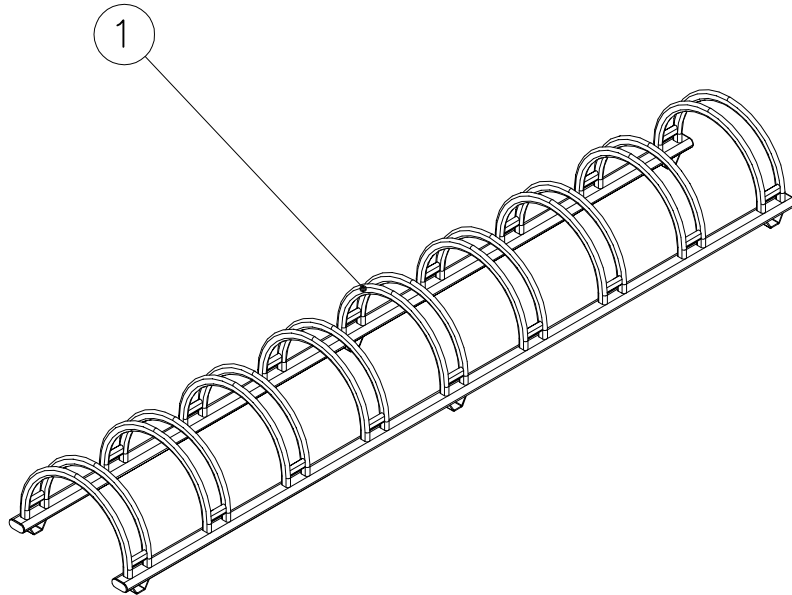
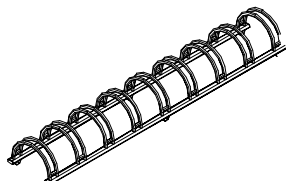
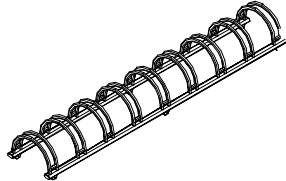
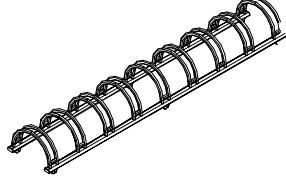


060105

DATE: 22.1.2004

1(1)



① 060105-78	PCS
	1
① 060105-79	PCS
	1
① 060105-80	PCS
	1
	PCS
	PCS
	PCS
	PCS
	PCS
	PCS

