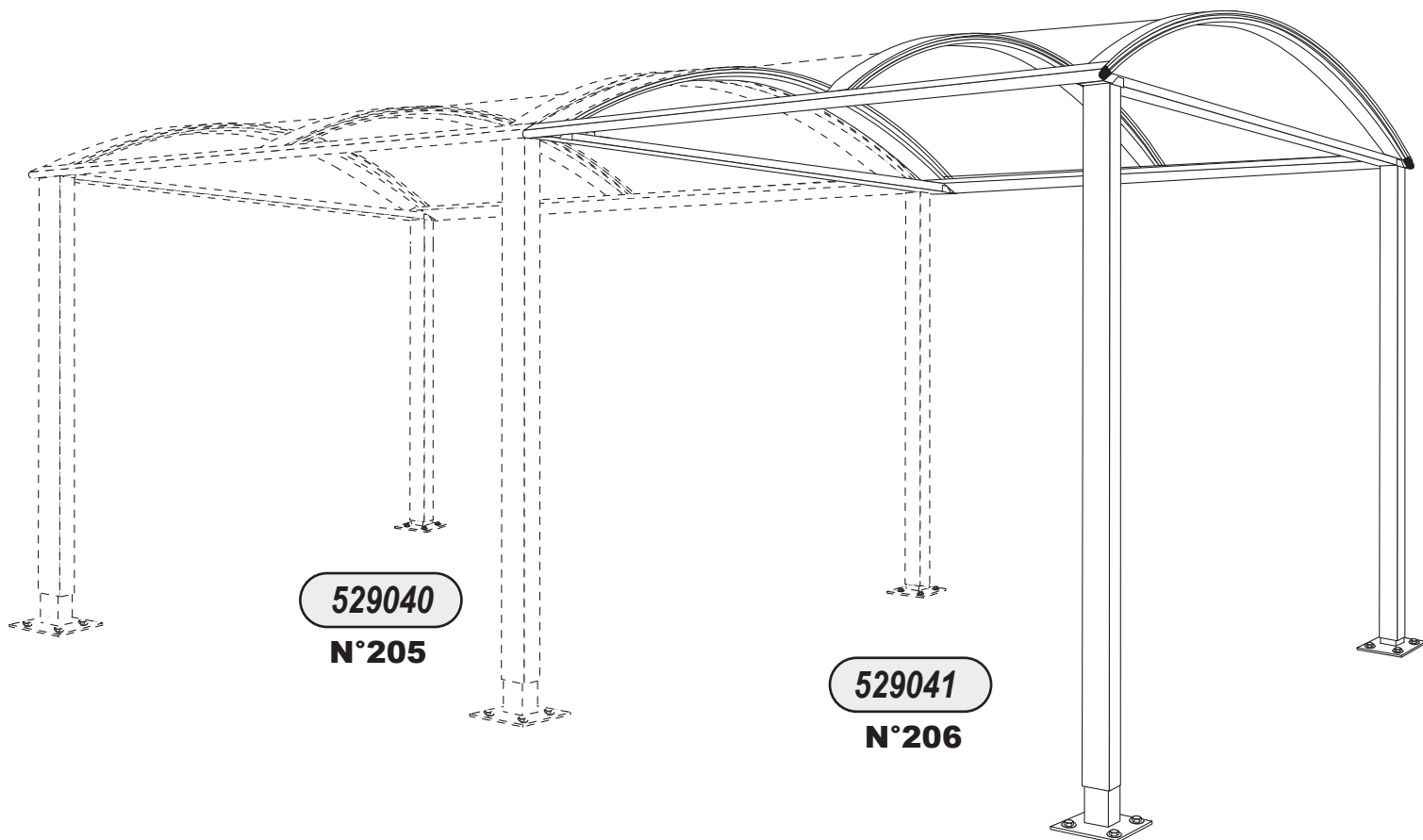


ABRI VOÛTE COMPLÉMENTAIRE - 2580x2170

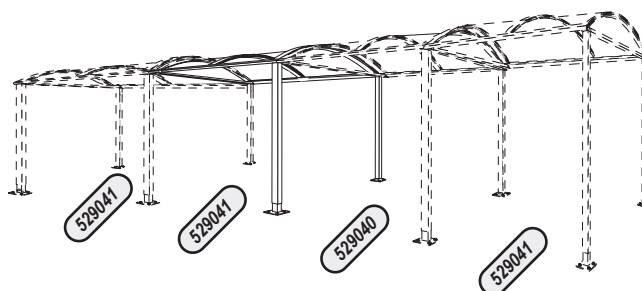
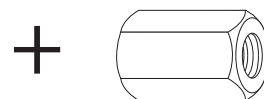

Référence 529041

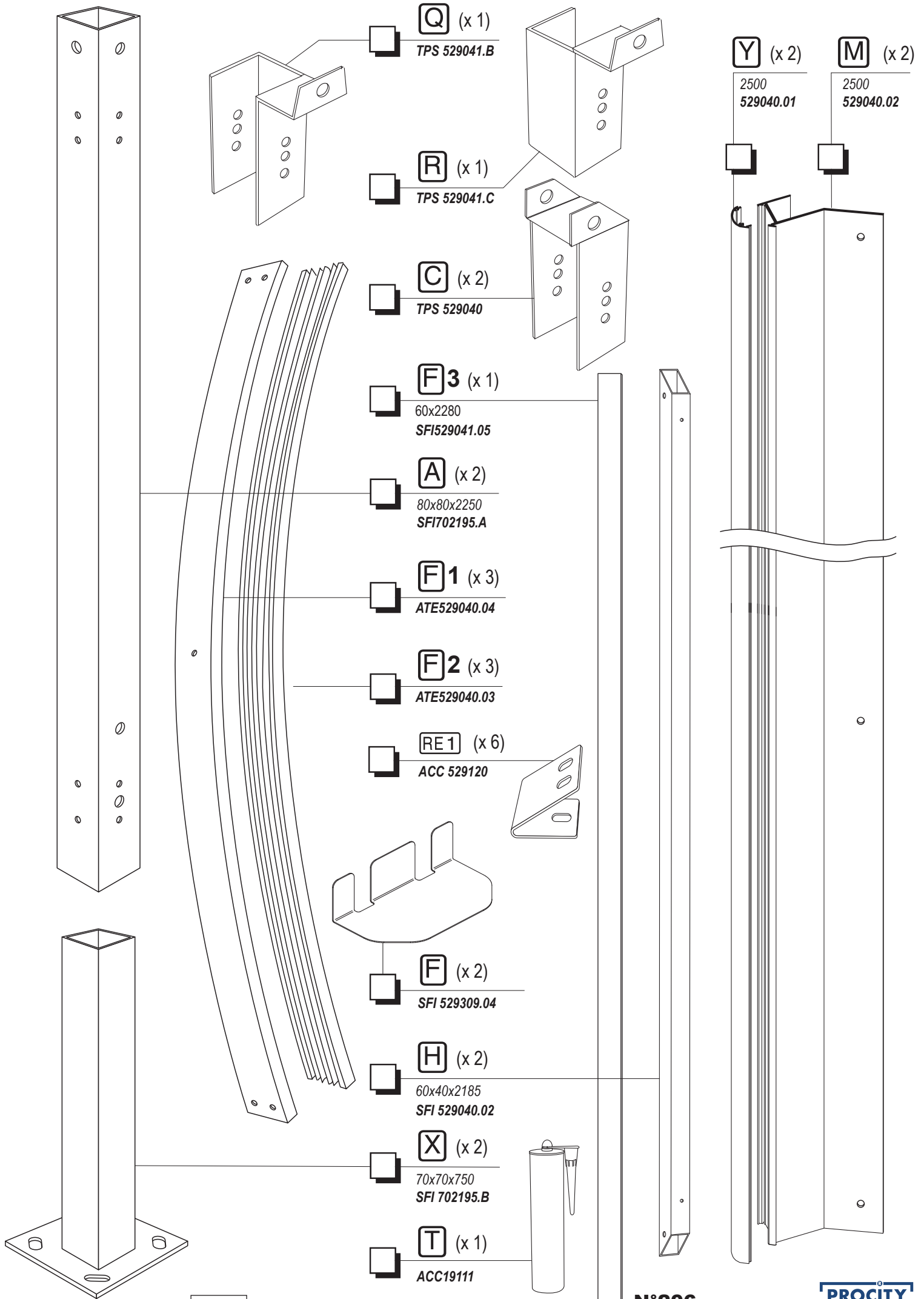


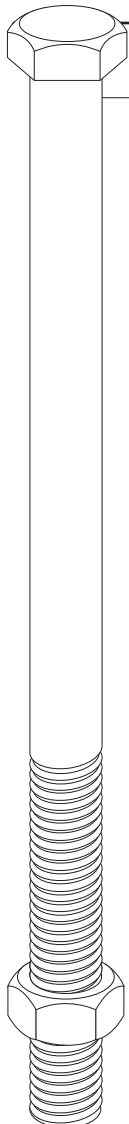
PRO CITY

N° OF :

FRANCE: +33.(0)2.54.80.32.99
EXPORT: +33.(0)1.39.08.26.55





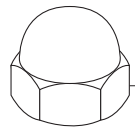


S (x 2)

HM 10 x 150
ACC 02157

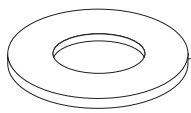
U (x 2)

HM 10 x 100
ACC 02194



B2 (x 2)

H M10 - ACC 05013

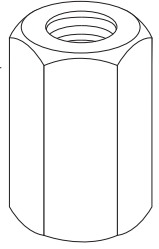


E (x 8)

M 10 - ACC 18143

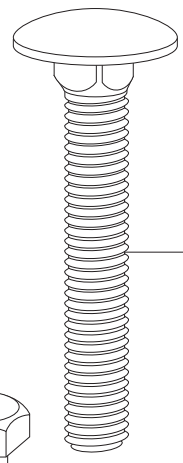
P (x 1)

M10
ACC13020



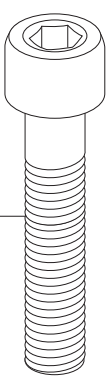
N (x 4)

BHC M8 x 80
ACC 02144



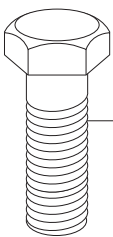
J (x 4)

M8 x 55
ACC 22325



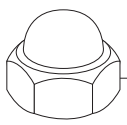
G (x 12)

CHC M8 x 35
ACC 22362



RE6 (x 2)

H M8 x 20
ACC 22273

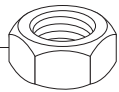


O (x 4)

HFr M8
ACC 04986

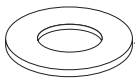
L (x 6)

H M8
ACC 05012



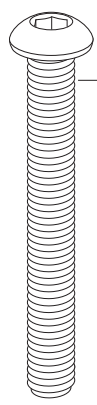
K (x 12)

M 8 ACC 18145



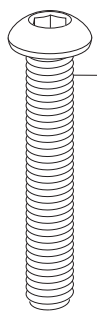
RE2 (x 12)

BHC M6 x 45
ACC 22227



RE9 (x 3)

BHC M6 x 40
ACC 22035



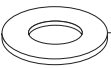
RE3 (x 15)

HFr M6
ACC 05019



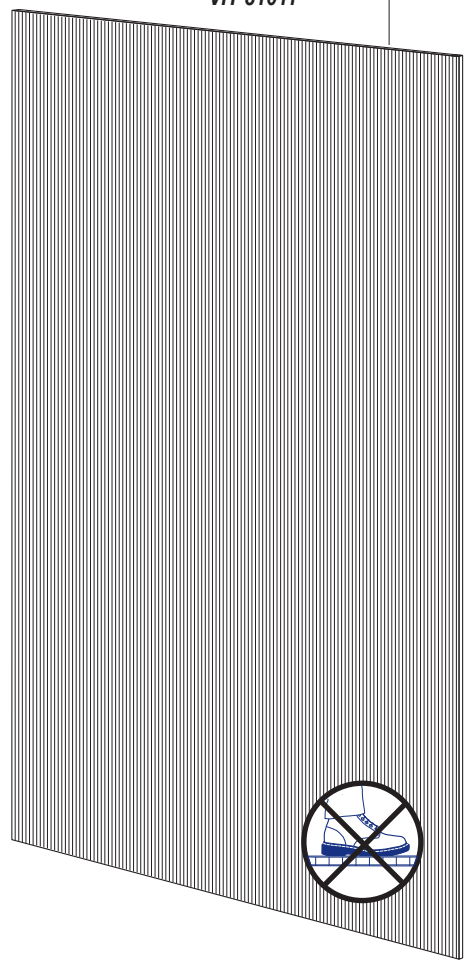
RE4 (x 30)

L 6 - ACC 18081



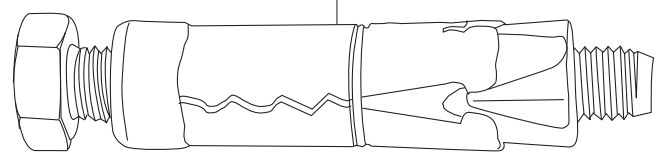
I (x 2)

h 1245 x 2300
VIT 81011



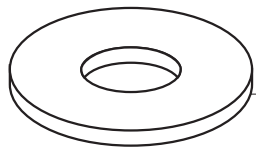
W1 (x 8)

M12 ACC 03322



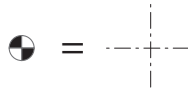
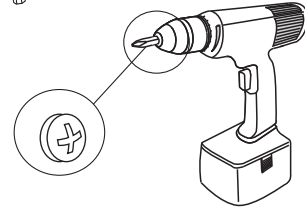
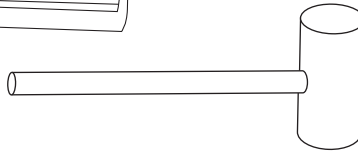
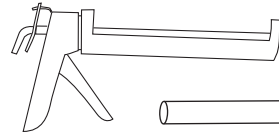
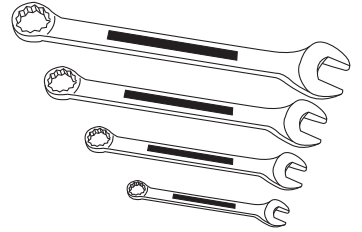
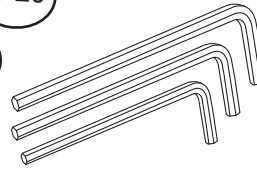
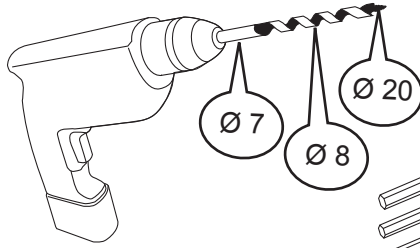
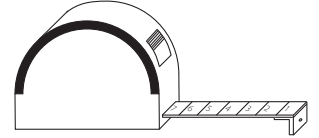
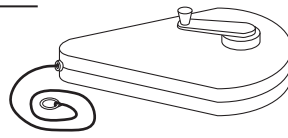
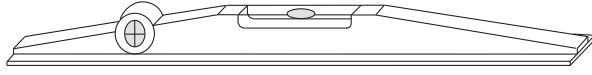
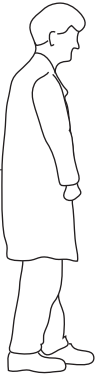
W2 (x 8)

LL 12 ACC 18130

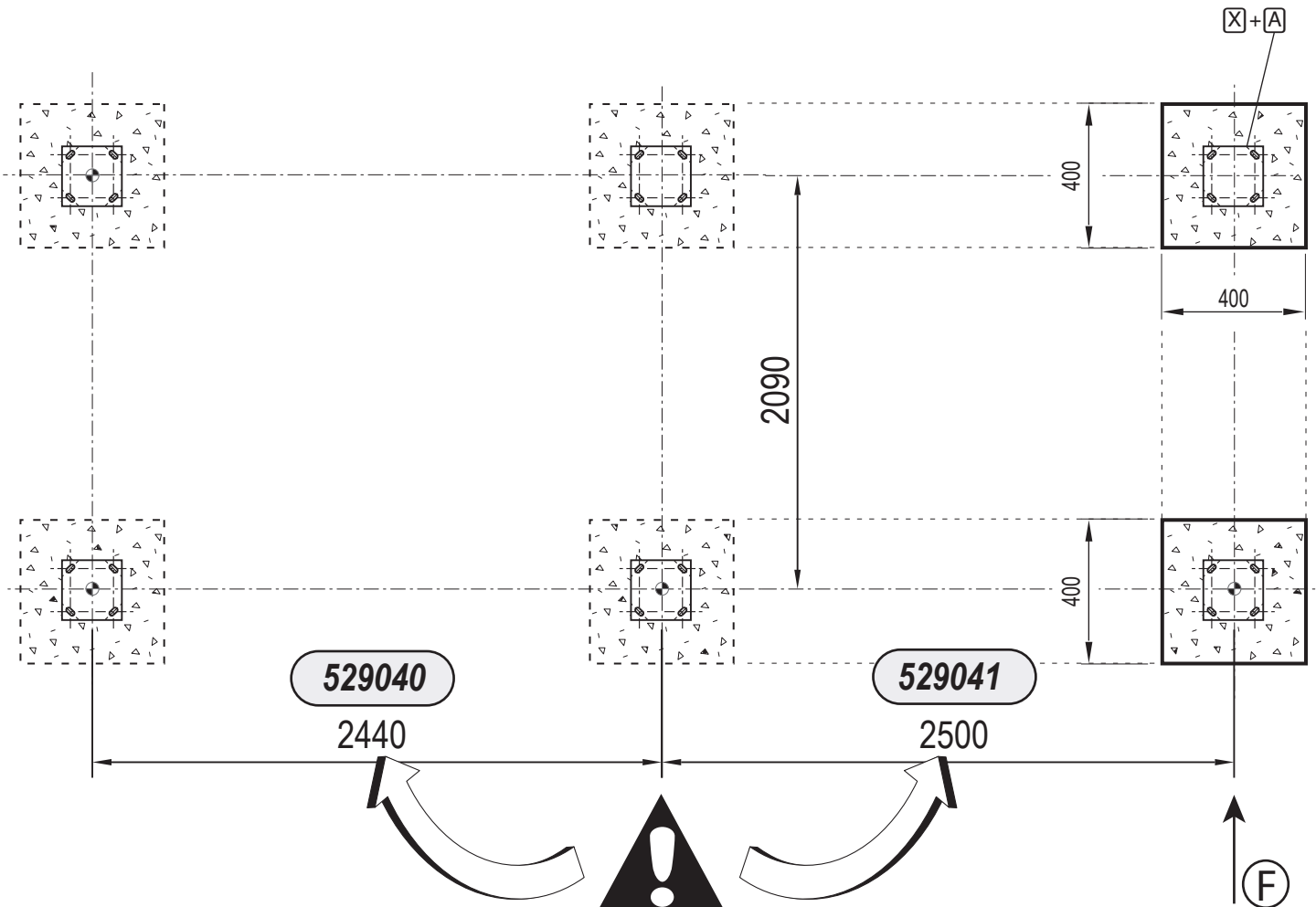
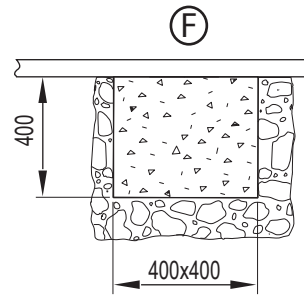


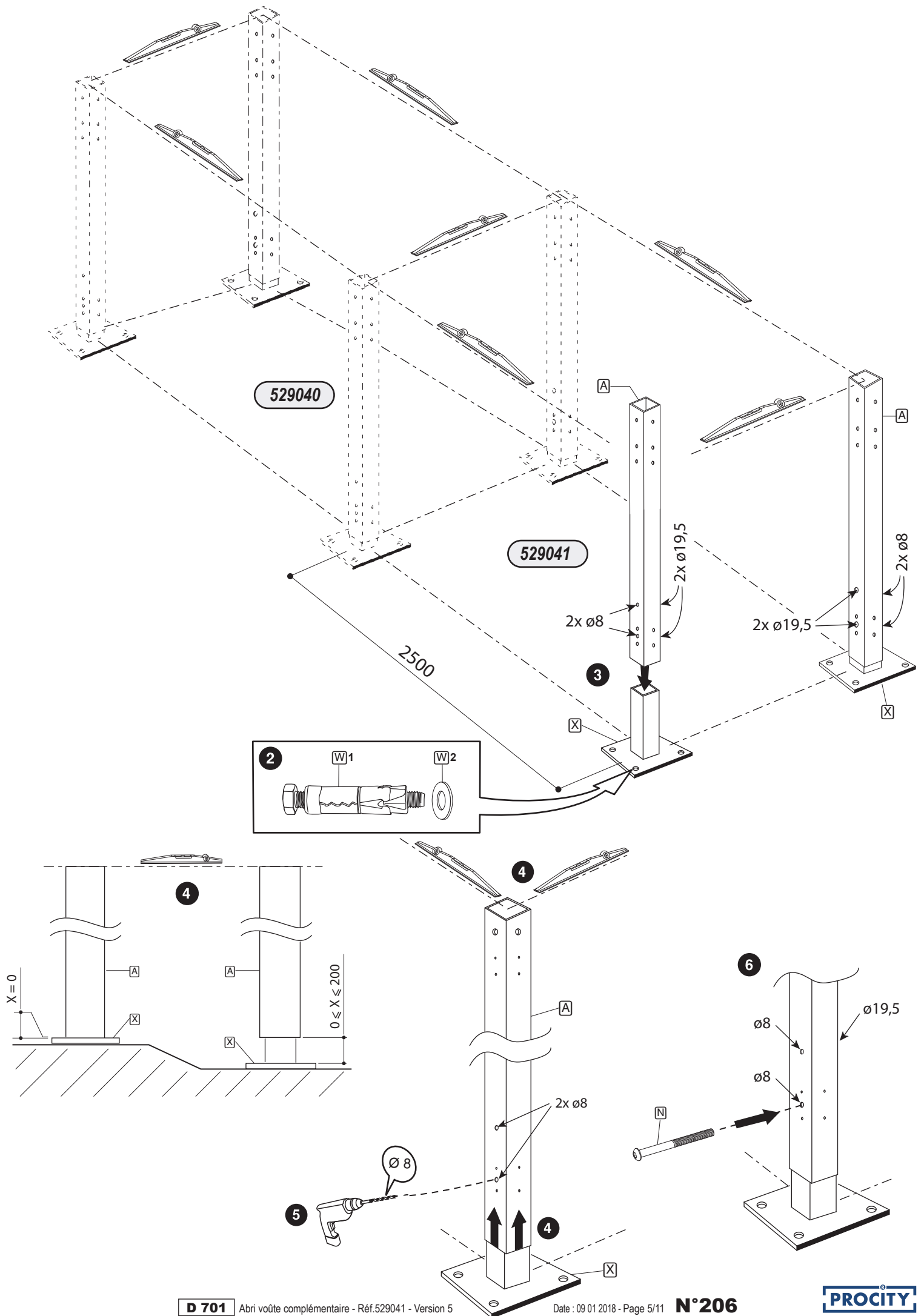
Procity = (x0)

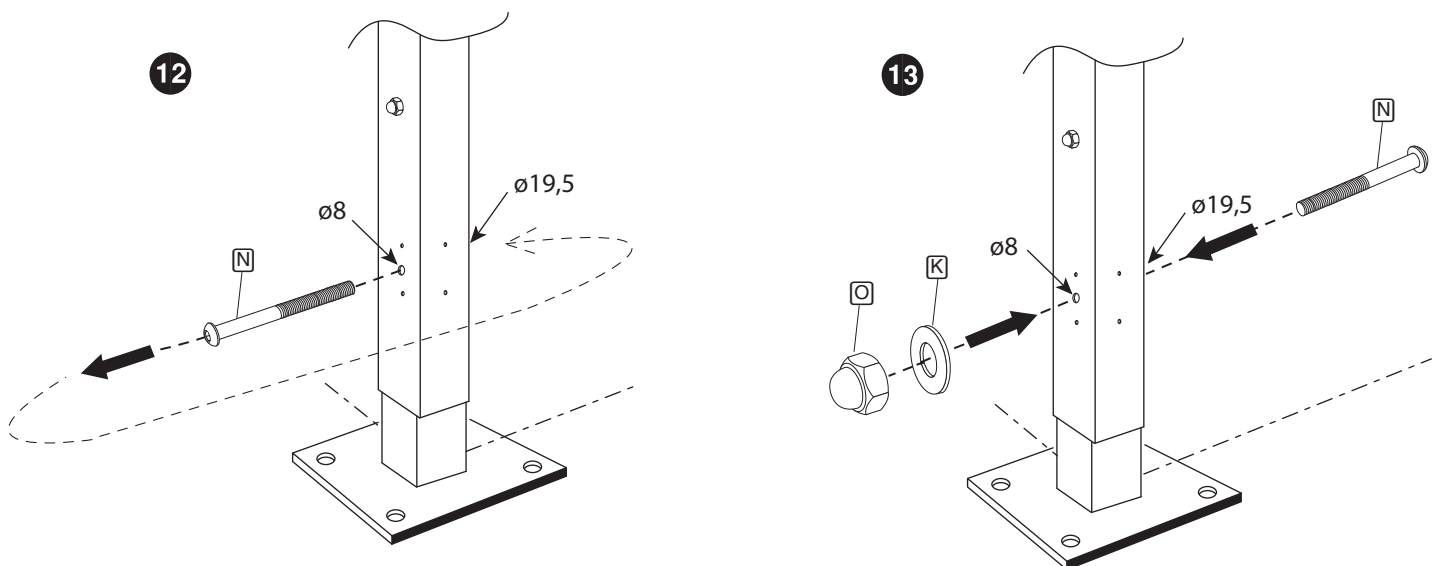
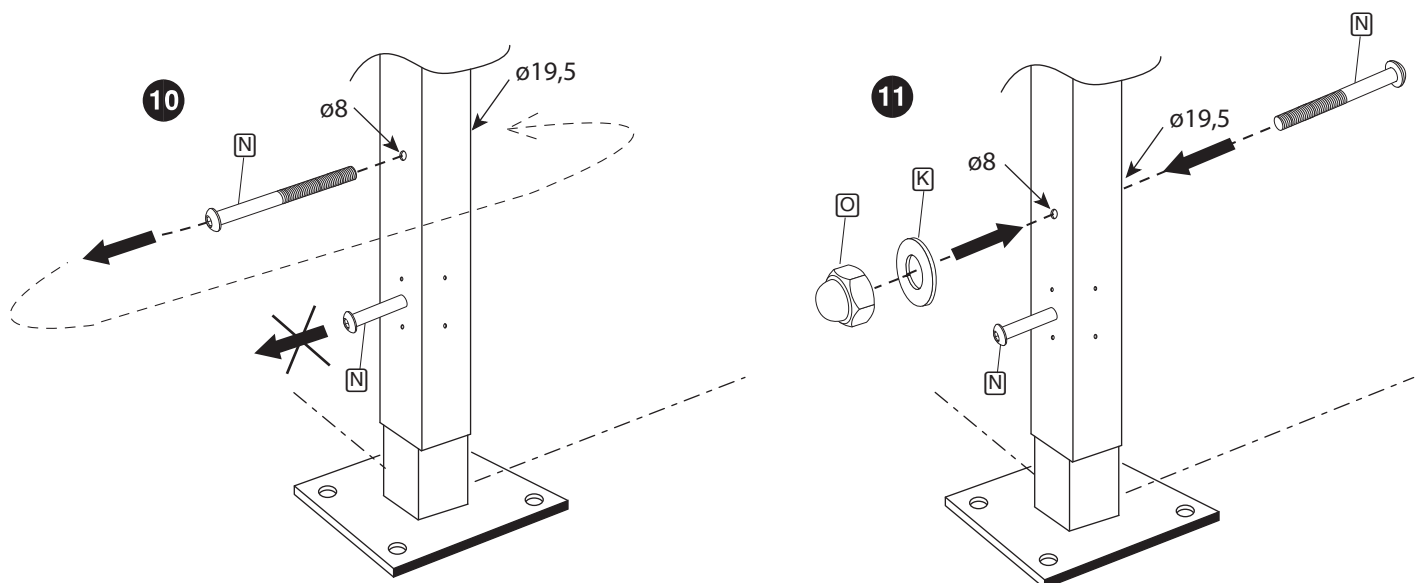
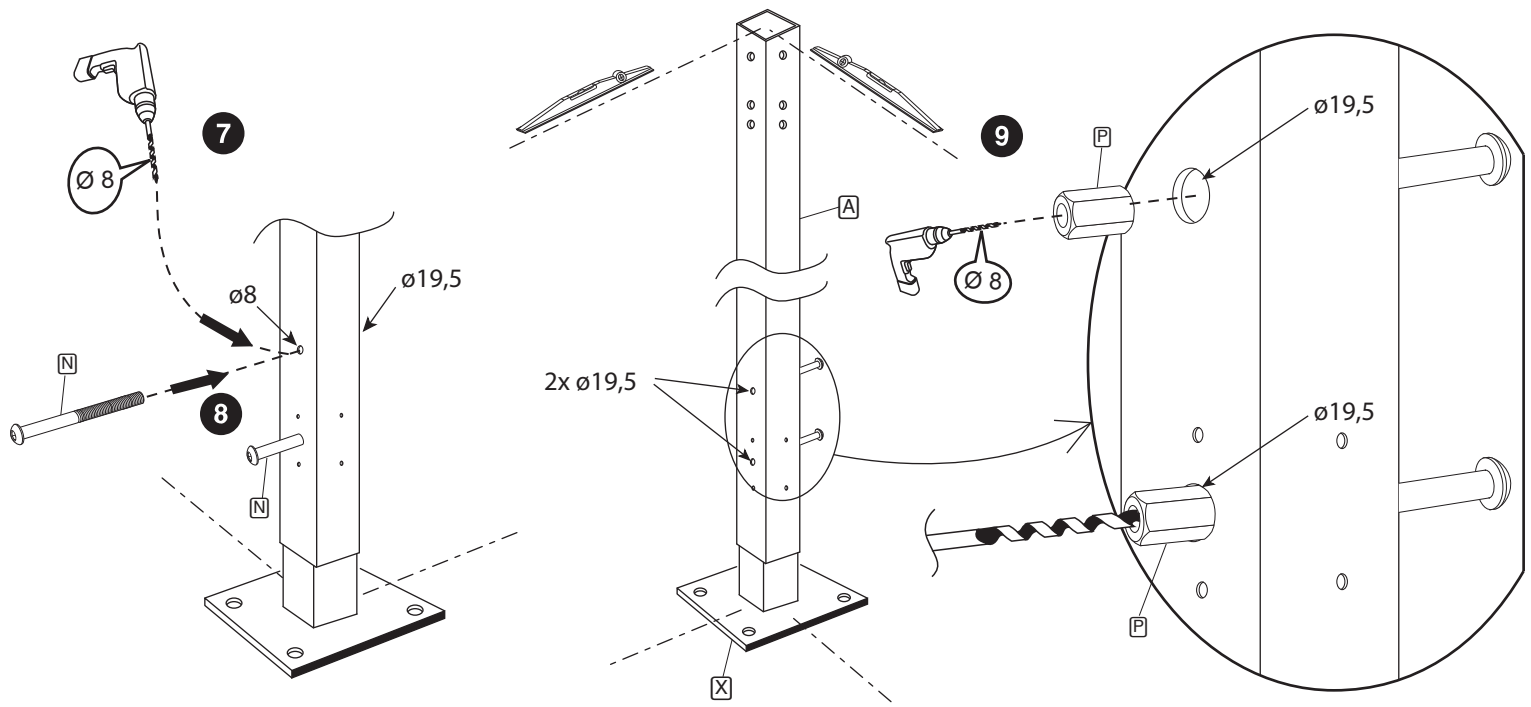
x2

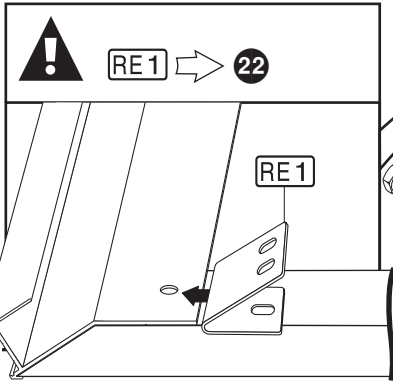
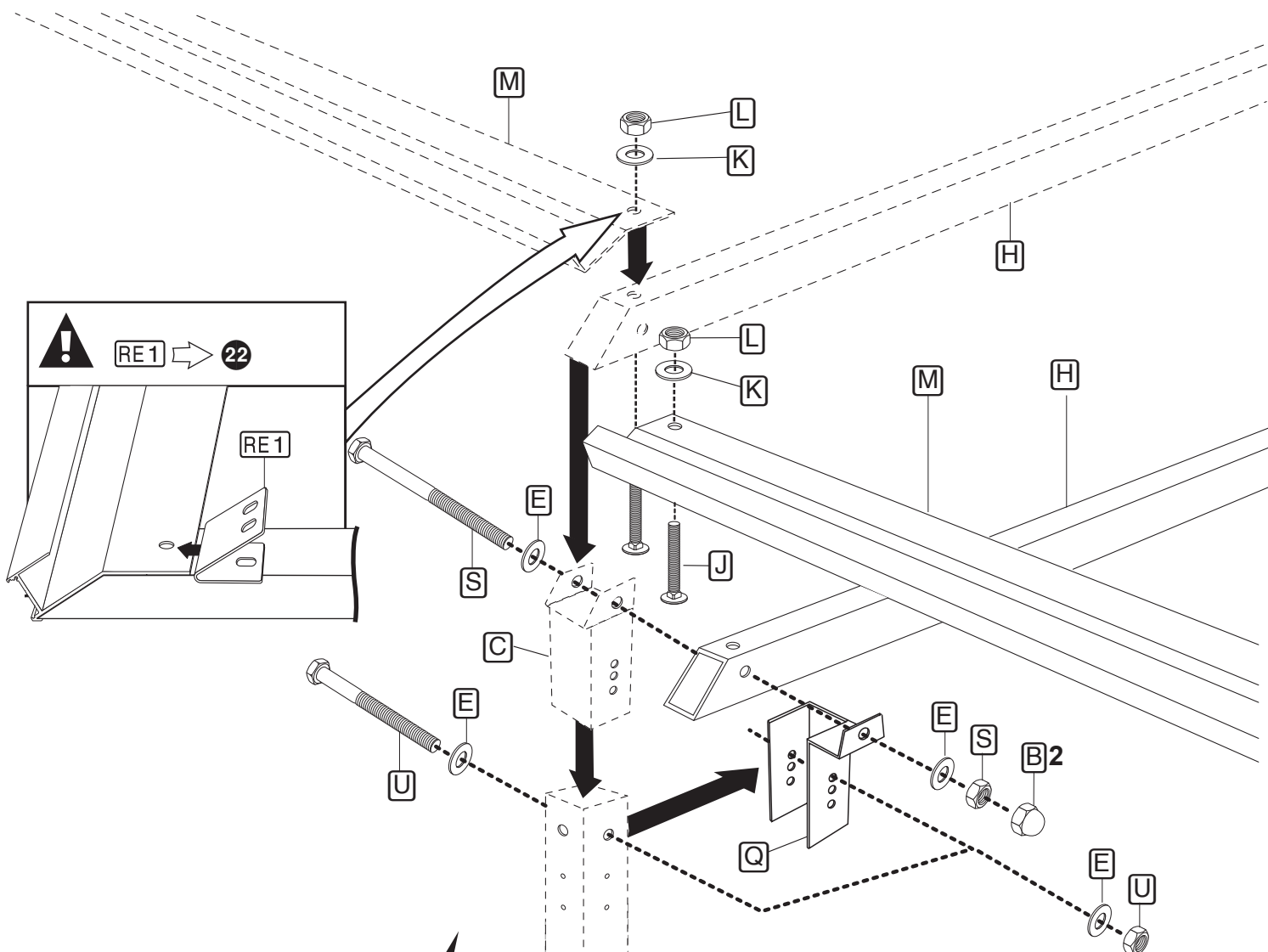


1





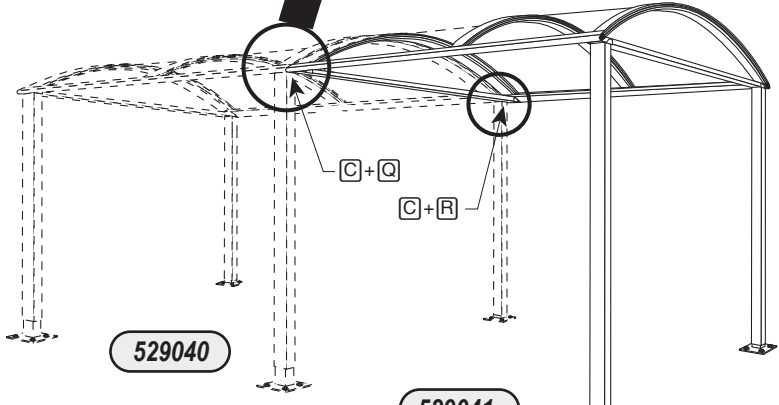




529040

14

529041



D 701 Abri voûte complémentaire

Réf.529041 - Version 5 - Date : 09 01 2018 - Page 7/11

N°206



